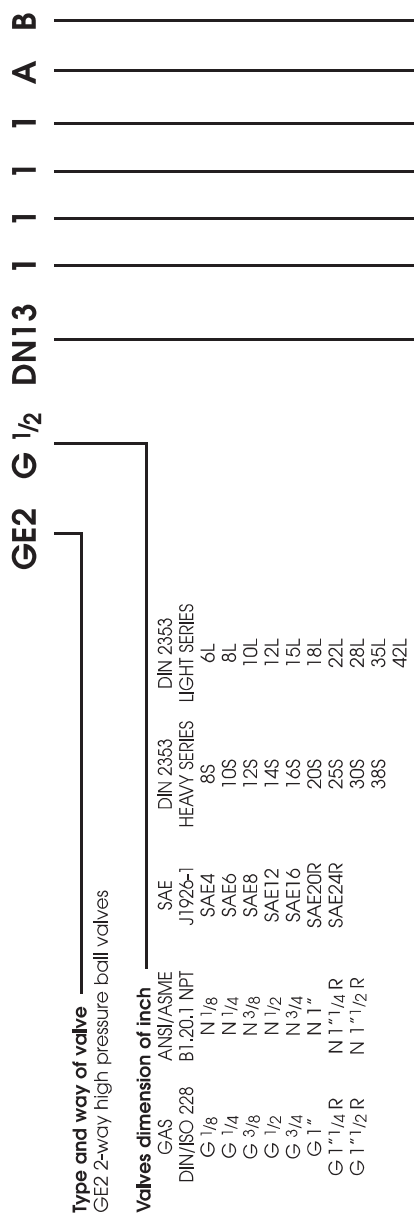
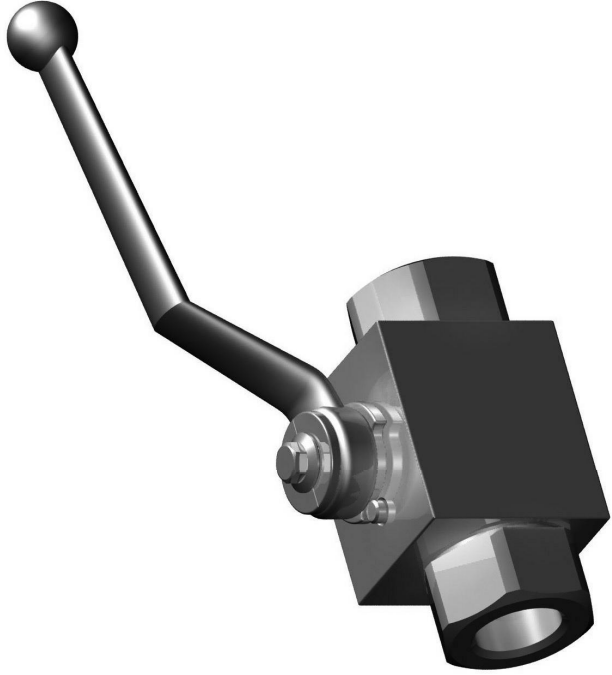




GE2 2-WAY HIGH PRESSURE BALL VALVES

Carbon Steel



Type and way of valve
GE2 2-way high pressure ball valves

Valves dimension of inch

GAS	ANSI/ASME	SAE	DIN 2353	DIN 2353
DIN/ISO 228	BI,20.1 NPT	J1926-1	HEAVY SERIES	LIGHT SERIES
G 1/8	N 1/8	SAE4	8S	6L
G 1/4	N 1/4	SAE6	10S	8L
G 3/8	N 3/8	SAE8	12S	10L
G 1/2	N 1/2	SAE12	14S	12L
G 3/4	N 3/4	SAE16	16S	15L
G 1"	N 1"	SAE20R	20S	18L
G 1 1/4 R	N 1 1/4 R	SAE24R	25S	22L
G 1 1/2 R	N 1 1/2 R		30S	28L
			38S	35L
				42L

Nominal dimension

- DN4
- DN6
- DN10
- DN13
- DN20
- DN25

Body material

- 1 1,0737

Adapter material

- 1 1,0737

Stem material

- 1 1,0737

Ball material

- 1 1,0737

Ball seat material

- A POM
- D PEEK
- G PA612
- K GEMPTFE
- C PTFE

Adapter and stem seal material

- B NBR
- E FKM
- F EPDM
- L MVQ

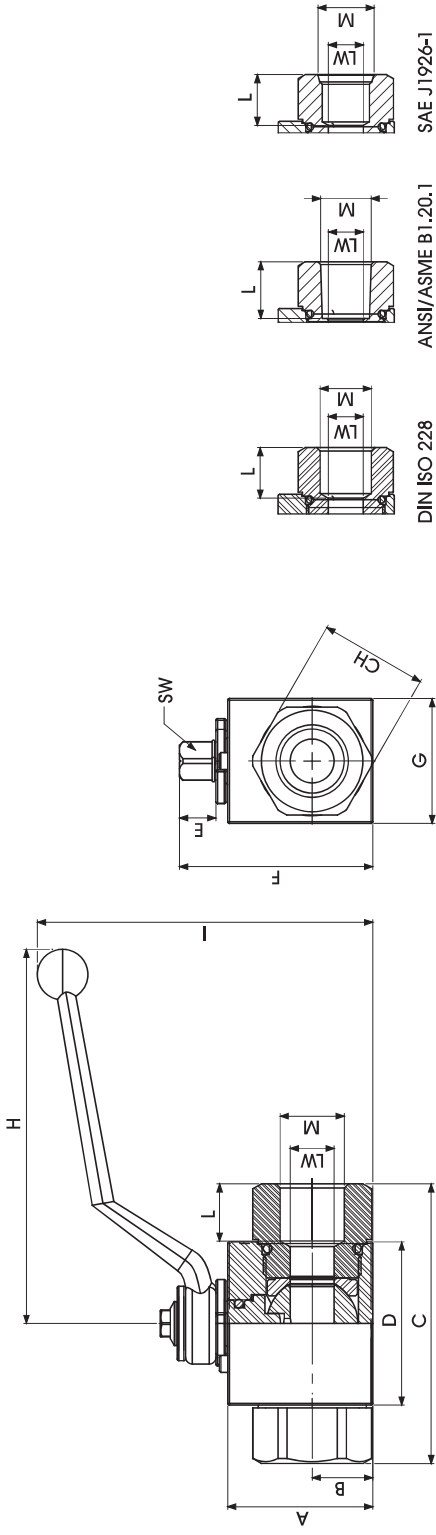
Specifications

- Type: ball valve GE 2way
- Body: block
- Material: 1,0737
- Ball seats: from DN4 up to DN25
- O-Rings: NBR, FKM, EPDM, MVQ
- Operating pressure: 500 Bar depending on valve size and seal materials selected
- Temp range: -20°C to +100°C depending on seal material selected

"The company reserves the right to operate dimensional changes without prior notice".

2.1.2

Standard



GE2 DIN ISO 228 BSP

Standard

TYPE	PN	DN	A	B	C	D	E	F	G	H	I	L	M	CH	SW	LW	WEIGHT Kg	ITEM CODE
GE2 G 1/8	50 MPa	4	35	14,5	71	42,4	11	49	30	110	91,5	11	G 1/8	24	9	4	0,512	GE2GGT05011A000
GE2 G 1/4	50 MPa	6	35	14,5	71	42,4	11	49	30	110	91,5	15,5	G 1/4	24	9	6	0,497	GE2GGT15011A000
GE2 G 3/8	50 MPa	10	40	17,4	73	44,4	11	54,25	35	110	96,5	15,5	G 3/8	30	9	10	0,652	GE2GGT25011A000
GE2 G 1/2	50 MPa	13	43	18	83	48,4	11	57	37	110	99,5	17	G 1/2	32	9	13	0,77	GE2GGT35011A000
GE2 G 3/4	40 MPa	20	55	23,4	95	62,5	14	73,5	45	180	106,5	21	G 3/4	41	14	20	1,46	GE2GGT44011A000
GE2 G 1"	35 MPa	25	65	29,5	112	66,5	14	83,5	55	180	116,5	24	G 1"	50	14	25	2,23	GE2GGT53011A000
GE2 G 1" 1/4 R	35 MPa	25	65	29,5	120	66,5	14	83,5	55	180	116,5	24	G 1" 1/4	55	14	25	2,299	GE2GGR63011A000
GE2 G 1" 1/2 R	35 MPa	25	65	29,5	124	66,5	14	83,5	55	180	116,5	24	G 1" 1/2	60	14	25	2,413	GE2GGR73011A000

GE2 ANSI/ASME

B1.20.1 NPT

Standard

TYPE	PN	DN	A	B	C	D	E	F	G	H	I	L	M	CH	SW	LW	WEIGHT Kg	ITEM CODE
GE2 N 1/8	50 MPa	4	35	14,5	71	42,4	11	49	30	110	91,5	11	N 1/8	24	9	4	0,512	GE2NNT05011A000
GE2 N 1/4	50 MPa	6	35	14,5	71	42,4	11	49	30	110	91,5	17	N 1/4	24	9	6	0,5	GE2NNT15011A000
GE2 N 3/8	50 MPa	10	40	17,4	73	44,4	11	54,25	35	110	96,5	17	N 3/8	30	9	10	0,655	GE2NNT25011A000
GE2 N 1/2	50 MPa	13	43	18	83	48,4	11	57	37	110	99,5	21	N 1/2	32	9	13	0,771	GE2NNT35011A000
GE2 N 3/4	40 MPa	20	55	23,4	95	62,5	14	73,5	45	180	106,5	21	N 3/4	41	14	20	1,478	GE2NNT44011A000
GE2 N 1"	35 MPa	25	65	29,5	112	66,5	14	83,5	55	180	116,5	24	N 1"	50	14	25	2,279	GE2NNT53011A000
GE2 N 1" 1/4 R	35 MPa	25	65	29,5	120	66,5	14	83,5	55	180	116,5	24	N 1" 1/4	55	14	25	2,351	GE2NNR63011A000
GE2 N 1" 1/2 R	35 MPa	25	65	29,5	124	66,5	14	83,5	55	180	116,5	24	N 1" 1/2	60	14	25	2,482	GE2NNR73011A000

GE2 SAE J1926-1

Standard

TYPE	PN	DN	A	B	C	D	E	F	G	H	I	L	M	CH	SW	LW	WEIGHT Kg	ITEM CODE
GE2 SAE4	50 MPa	6	35	14,5	71	42,4	11	49	30	110	91,5	15,5	7/16 UNF	24	9	6	0,504	GE2EEE05011A000
GE2 SAE6	50 MPa	10	40	17,4	73	44,4	11	54,25	35	110	96,5	16	9/16 UNF	30	9	10	0,663	GE2EEE15011A000
GE2 SAE8	50 MPa	13	43	18	83	48,4	11	57	37	110	99,5	17,5	3/4 UNF	32	9	13	0,779	GE2EEE25011A000
GE2 SAE12	40 MPa	20	55	23,4	95	62,5	14	73,5	45	180	106,5	23	1" 1/16 UN	41	14	20	1,441	GE2EEE34011A000
GE2 SAE16	35 MPa	25	65	29,5	112	66,5	14	83,5	55	180	116,5	23	1" 5/16 UN	50	14	25	2,335	GE2EEE43011A000
GE2 SAE20R	35 MPa	25	65	29,5	120	66,5	14	83,5	55	180	116,5	23	1" 5/8 UN	55	14	25	2,307	GE2EEE53011A000
GE2 SAE24R	35 MPa	25	65	29,5	124	66,5	14	83,5	55	180	116,5	23	1" 7/8 UN	60	14	25	2,399	GE2EEE63011A000

"The company reserves the right to operate dimensional changes without prior notice".